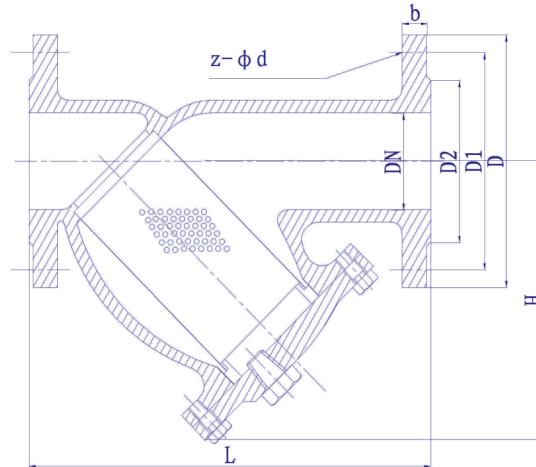


Flange Cast Iron Y-Strainer(D)
PN 16
DIN 3202-F1
DIN 2533
DN40...DN200



TEMPERATURE/PRESSURE

°C	-10...+120	200	300
PN 16/10	16	13	10

APPLICATIONS

- Hot and cold water systems
- Fluid excluding acid

MATERIALS

PART NAME	MATERIAL
BODY	GG25/GGG40/GGG50
BONNET	GG25/GGG40/GGG50
STEM	SS
FILTER	SS304
PLUG	GGG40
GASKET	GRAPHITE

Structure

DN	L	D	D1	D2	b	Z-φb	H	KG
40	200	150	110	88	18	4-18	128	7.5
50	230	165	125	102	18	4-18	168	10.5
65	290	185	145	122	18	4-18	178	15.3
80	310	200	160	138	20	8-18	215	20.2
100	350	220	180	158	20	8-18	249	26.8
125	400	250	210	188	22	8-18	268	37.1
150	480	285	240	212	22	8-23	292	56.1
200	600	340	295	268	24	12-23	316	90.6