

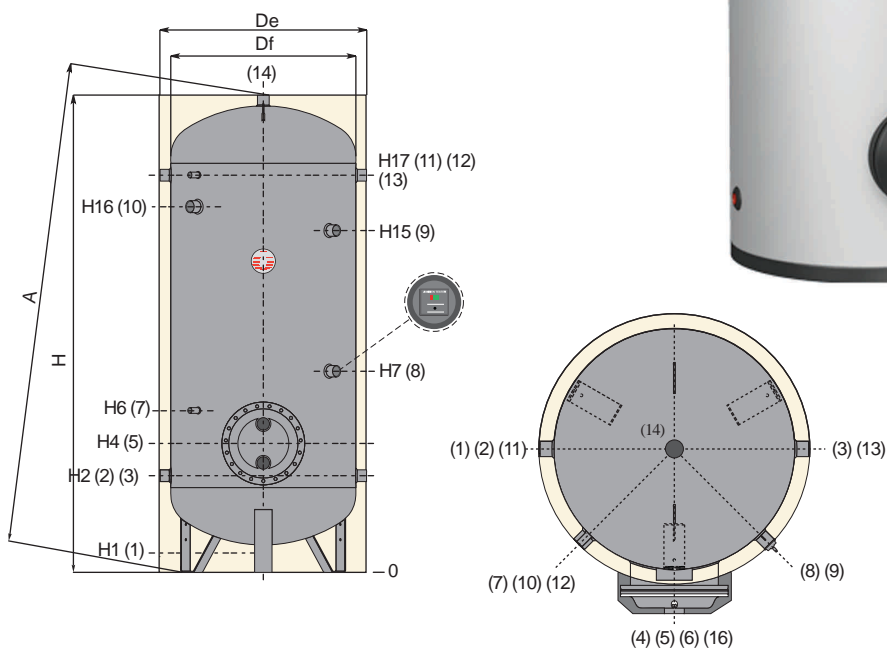
BOL. EXTRA 1 WXC VT



BOLLITORE CON 1 SCAMBIATORE ESTRAIBILE



Capacità	BOL. EXTRA 1 WXC VT	Superfici Scambiatori
litri	CODICE	Inferiore
		m ²
200	3072162360102	0.5
300	3072162360103	0.75
500	3072162360104	1
800	3072162360105	1.5
1000	3072162360106	2
1500	3072162360107	3
2000	3072162360108	4
2500	3072162360113	5
3000	3072162360109	6
4000	3072162360110	8
5000	3072162360112	10



Capacità	Volume netto	Peso	Df	De	H	A	H1	H2	H3	H4	H5	H6
litri	litri	Kg	mm									
200	189	52	450	550	1441	1605	77	316	351	401	451	511
300	290	65	550	650	1549	1774	135	400	435	485	535	595
500	499	83	650	750	1841	2105	101	416	451	501	551	611
800	791	139	750	850	2138	2441	113	433	478	568	658	718
1000	1037	181	850	950	2192	2567	101	454	499	589	679	739
1500	1440	224	950	1050	2390	2818	109	440	585	675	765	825
2000	1980	279	1100	1200	2442	2991	91	467	587	692	797	867
2500	2314	328	1250	1350	2311	3032	140	551	671	776	881	951
3000	2921	384	1250	1350	2811	3429	140	551	731	836	941	1011
4000	3766	521	1400	1500	2875	3620	114	570	750	855	960	1030
5000	4986	657	1600	1700	2915	3849	94	580	750	855	960	1030

Capacità	H7	H15	H16	H17	5	1	2 3 11 13	4 6	7 12	8	9	10
litri	mm				Conessioni gas F							
200	701	//	1066	1176	Ø e 300	1"1/4	1"1/4	1"	1/2"	1"1/4	//	1"1/2
300	785	//	1150	1260	Ø e 300	1"1/4	1"1/4	1"	1/2"	1"1/4	//	1"1/2
500	801	//	1370	1526	Ø e 300	1"1/4	1"1/4	1"	1/2"	1"1/4	//	1"1/2
800	898	//	1638	1793	Ø e 380	1"1/4	1"1/4	2"	1/2"	1"1/4	//	1"1/2
1000	989	//	1660	1814	Ø e 380	1"1/2	1"1/2	2"	1/2"	1"1/4	//	2"
1500	1075	//	1895	2050	Ø e 380	//	1"1/2	2"	1/2"	1"1/4	//	2"
2000	842	1952	1877	2057	Ø e 430	//	2"	2"	1/2"	1"1/4	1"1/4	2"
2500	976	1816	1732	1891	Ø e 430	//	2"	2"	1/2"	1"1/4	1"1/4	2"
3000	1036	2316	2232	2391	Ø e 430	//	2"	2"	1/2"	1"1/4	1"1/4	2"
4000	1035	2315	2238	2410	Ø e 430	//	2"	2"	1/2"	1"1/4	1"1/4	2"
5000	1035	2335	2265	2420	Ø e 430	//	2"	2"	1/2"	1"1/4	1"1/4	2"

